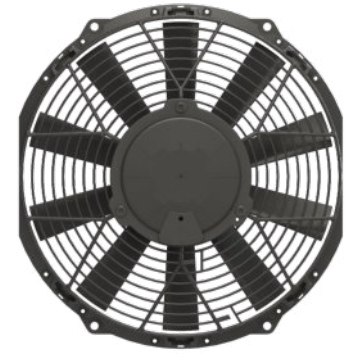


<b>12V DC</b>		10" (255mm) Suction			10" (255mm) Blowing		
<b>Revotec part no</b>		<b>FAN0220</b>			<b>FAN0221</b>		
Full COMEX code		F31P-12E8004-13S 2700.0220.00			F31P-12E8004-13B 2700.0221.00		
Fan shroud type		F31P			F31P		
<b>Static pressure</b>		<b>Suction</b>			<b>Blowing</b>		
Pa	Inches H <sub>2</sub> O	Airflow m <sup>3</sup> /h	Airflow cfm	Current A	Airflow m <sup>3</sup> /h	Airflow cfm	Current A
0	0	<b>1440</b>	850	6.8	<b>1340</b>	790	6.5
25	0.1	<b>1310</b>	770	6.9	<b>1210</b>	710	6.5
50	0.2	<b>1170</b>	690	6.9	<b>1050</b>	620	6.5
75	0.3	<b>1000</b>	590	6.8	<b>830</b>	490	6.5
100	0.4	<b>760</b>	450	6.6	<b>620</b>	370	6.6
125	0.5	<b>520</b>	310	6.7	<b>420</b>	250	6.5
150	0.6	<b>330</b>	190	6.9	<b>150</b>	90	7.1
175	0.7	<b>0</b>	0	7.5	<b>0</b>	0	7.4

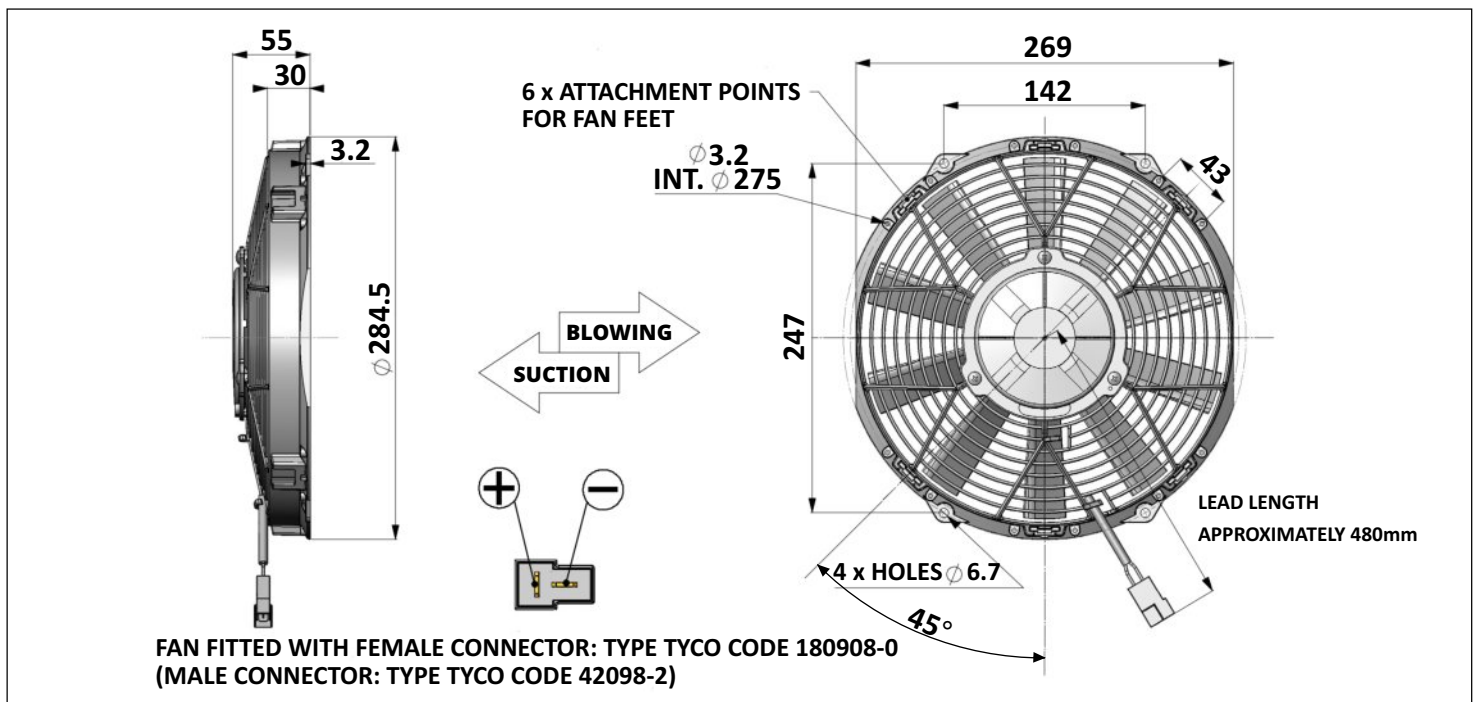


Suction/Blowing  
(Straight blade)

Test voltage 13.0 V DC

Weight 1.2 kg

3D model available email us: [sales@revotec.com](mailto:sales@revotec.com)



Notes: