

12V DC		12" (305mm) Suction			12" (305mm) Blowing		
Revotec part no		FAN0607HP			FAN0166HP		
Full COMEX code		F27P-12E8102-41S 2700.0607.00			F27P-12E8101-11B 2700.0166.00		
Fan shroud type		F27P			F27P		
Static pressure		Suction			Blowing		
Pa	Inches H ₂ O	Airflow m ³ /h	Airflow cfm	Current A	Airflow m ³ /h	Airflow cfm	Current A
0	0	1990	1170	11.0	2120	1250	10.9
25	0.1	1850	1090	11.2	1970	1160	11.1
50	0.2	1710	1010	11.5	1810	1070	11.2
75	0.3	1560	920	11.6	1580	930	11.2
100	0.4	1400	830	11.6	1310	770	11.3
125	0.5	1220	720	11.5	970	570	11.2
150	0.6	1020	600	11.2	600	350	11.2
175	0.7	740	440	11.1	300	180	11.6
200	0.8	540	320	11.5	0	0	12.5
225	0.9	330	190	11.8			
250	1.0	120	70	12.1			
275	1.1	0	0	12.1			



Blowing
(Straight blade)

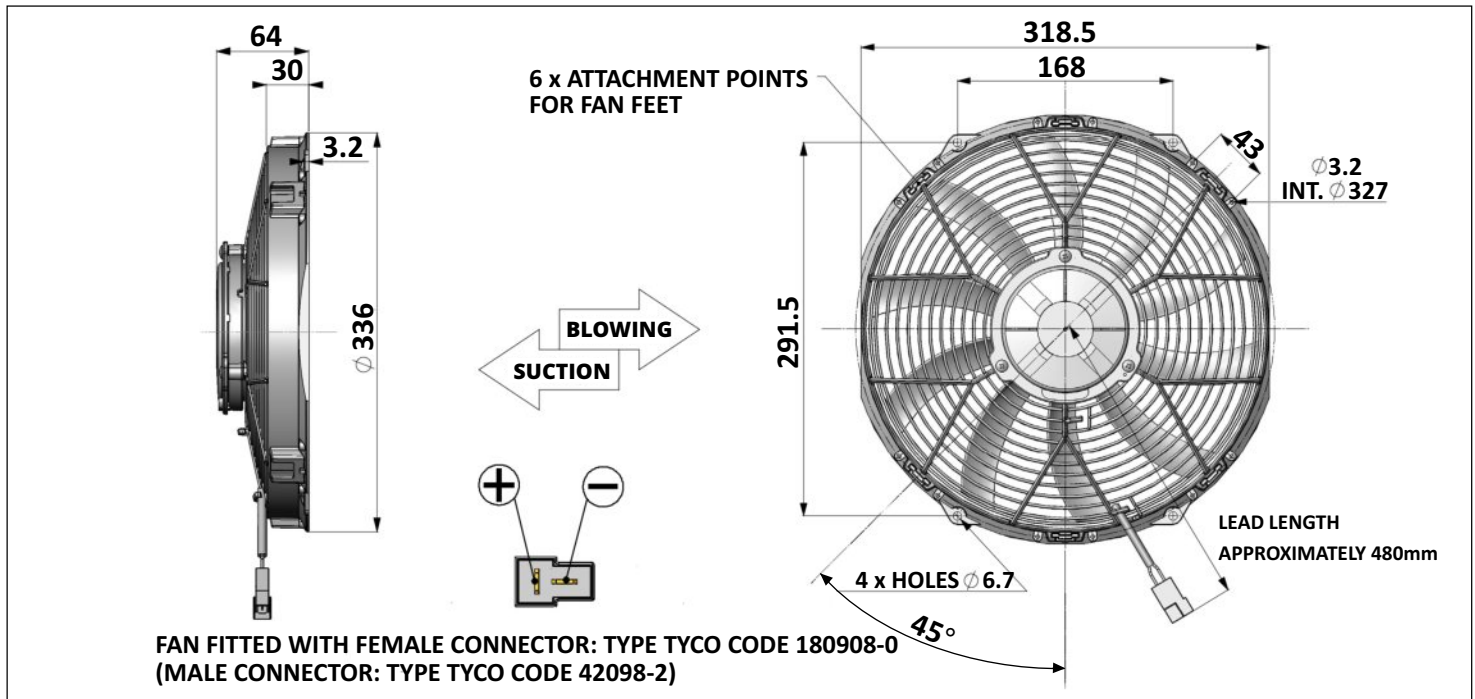


Suction
(Curved blade)

Test voltage 13.0 V DC

Weight 1.7 kg

3D model available email us: sales@revotec.com



Notes: